

# 3 Ports, 4 Ports Polarization- Insensitive Optical Circulator

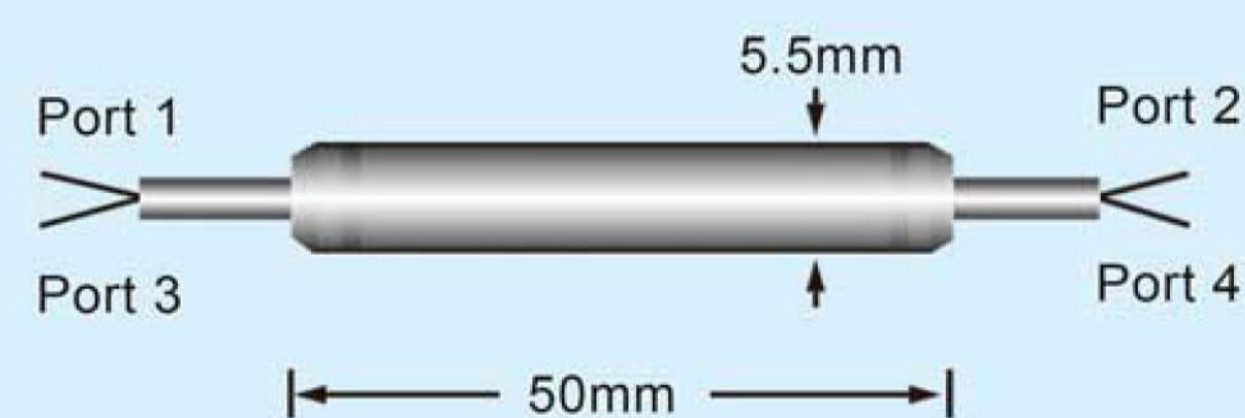
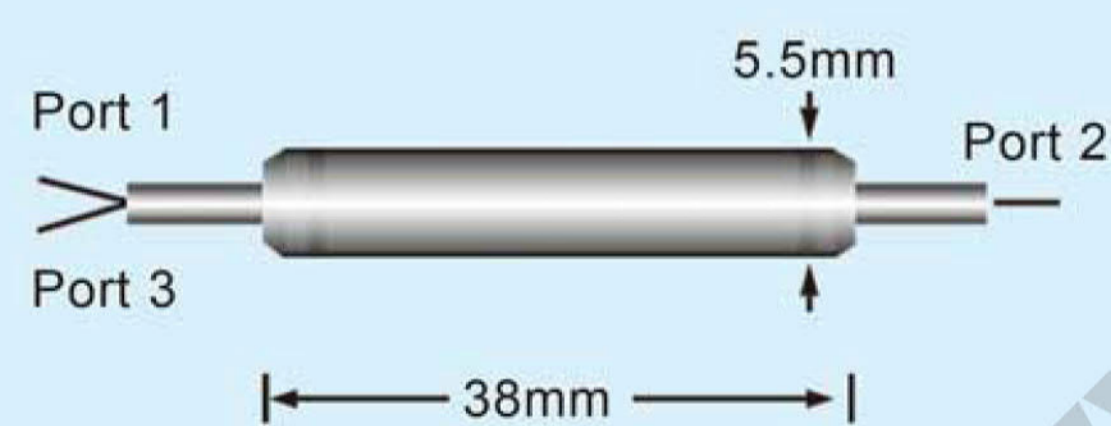
## Features

- Low insertion loss
- Wide band high isolation
- Low PDL
- Compact in-line package
- High stability and reliability
- Epoxy free on optical path

## Applications

- Optical amplifier
- Metro area network
- Wavelength add / drop
- Dispersion compensation
- Bi-directional communication

## Package Dimension



## Performance Specifications

Parameter	P Grade		
	3 Ports	4 Ports	
Configuration	Port 1 to 2, Port 2 to 3	Port 1 to 2, Port 2 to 3, Port 3 to 4	
Operation Wavelength (nm)	1310 ± 30 or 1550 ± 30		
Insertion Loss (dB)	Typical	0.6	1.0
	Maximum	0.8	1.2
Minimum Isolation (dB)	≥40	≥30	
Cross Talk (dB)	≥50	≥50	
Polarization Dependent Loss (dB)	≤0.15	≤0.2	
Polarization Mode Dispersion (ps)	≤0.1		
Return Loss (dB)	≥50		
Power Handling (mW)	300		
Operating Temperature (°C)	-10~+70		
Storage Temperature (°C)	-40~+85		
Package Dimension (mm)	For 250µm, 900µm	Φ5.5 x L38 or Φ5.5 x L50	Φ5.5 x L68
	For 2.0mm, 3.0mm	L90 x W20 x H10	

Above specifications are for devices without connector.  
Specifications may change without notice.

## Ordering Information

PIOC	□	□□	□	□	□	□
	Port	Wavelength	Package	Fiber Diameter	Fiber Length	Connector
	3=3 Ports 4=4 Ports	13=1310nm 15=1550nm	1=Steel Tube 2=ABS Box Module 3=Specify	0=250µm 1=900µm 2=2.0mm 3=3.0mm	1=1m 2=2m S=Specify	0=None 1=FC/APC 2=FC/UPC 3=SC/APC 4=SC/UPC 5=LC/APC 6=LC/UPC 7=ST S=Specify